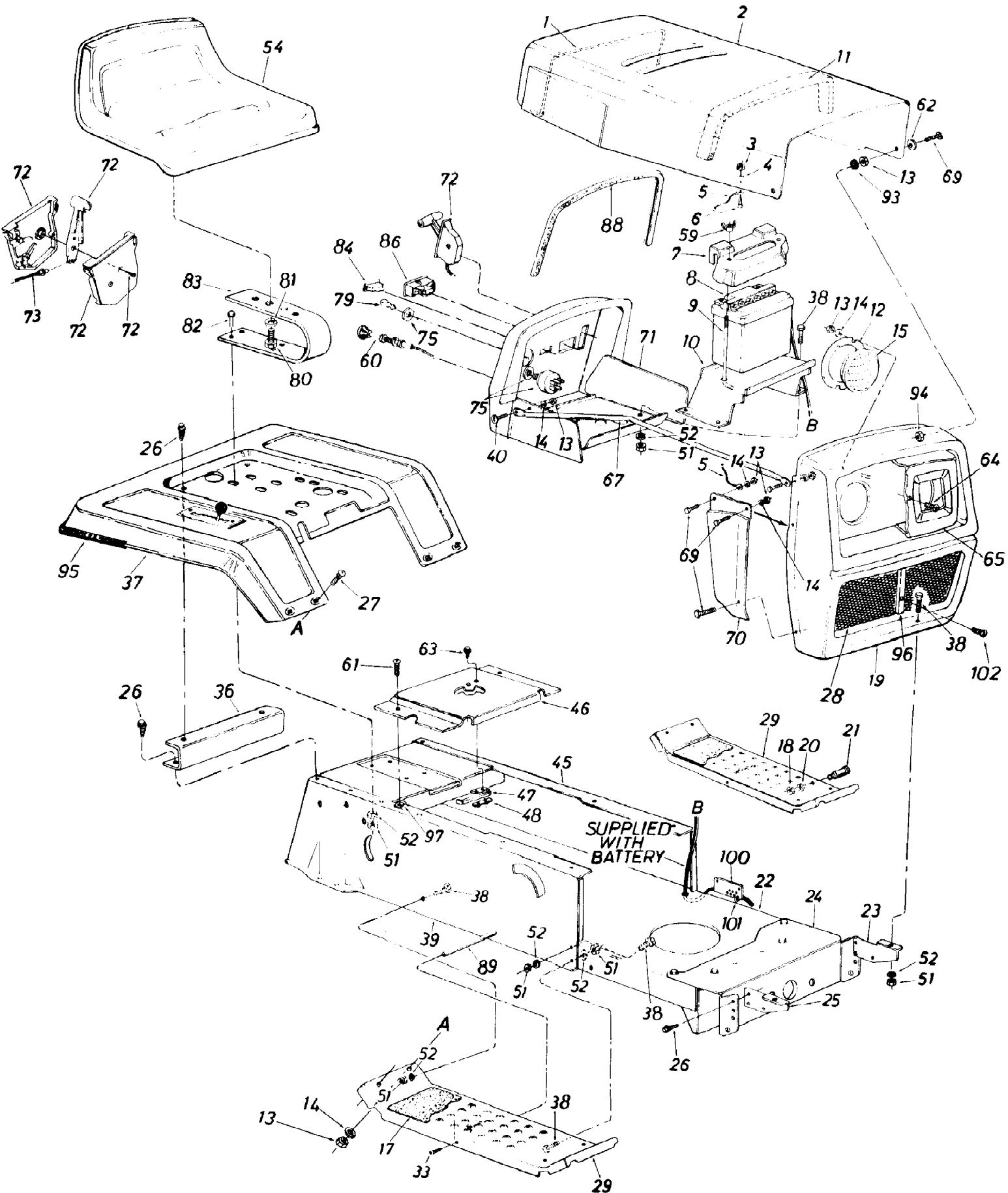


135-704-190 44" Lawn Tractor LT-140 (1985)  
Chassis Assembly



135-704-190 44" Lawn Tractor LT-140 (1985)  
Chassis Assembly

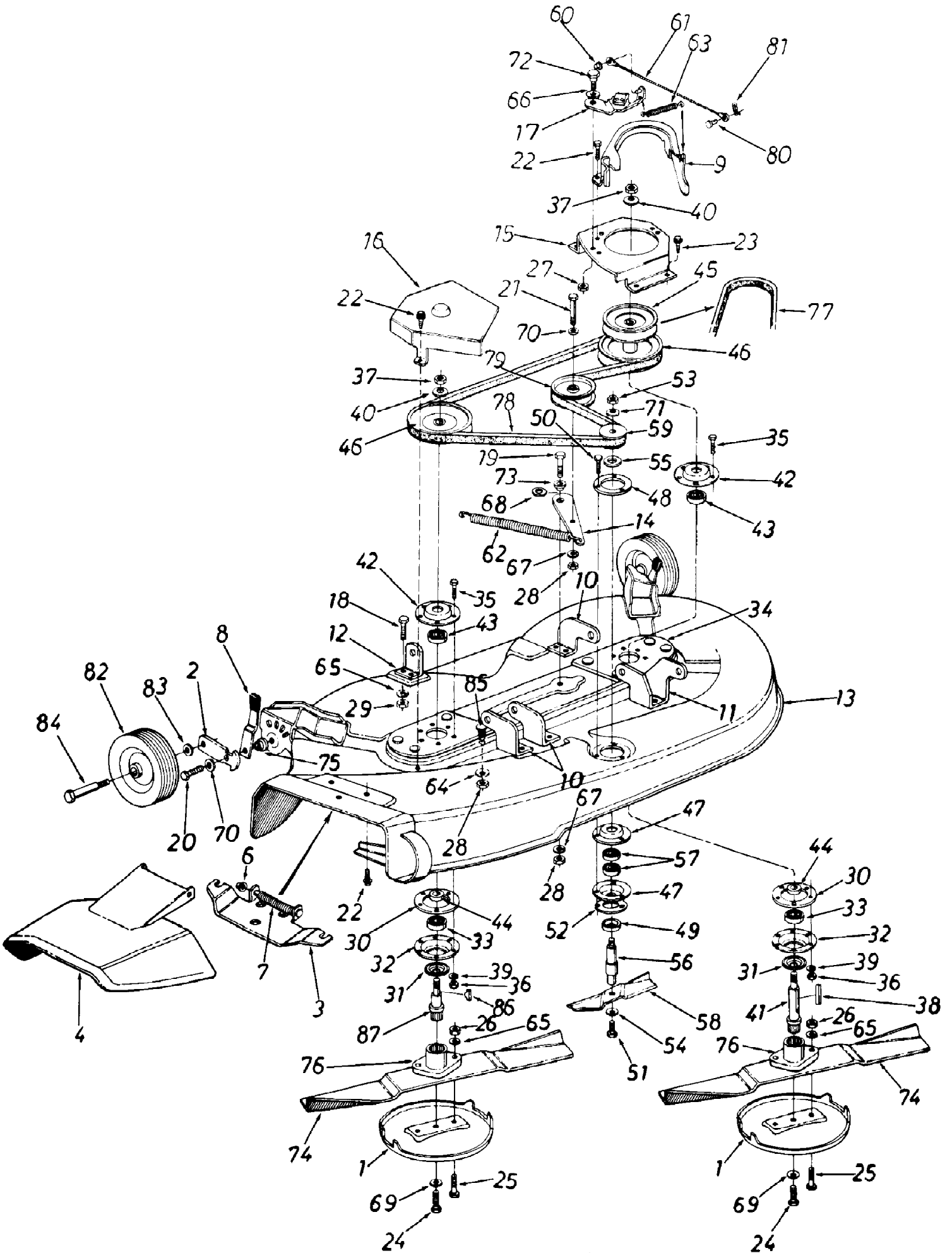
Page 2 of 25

Ref #	Part Number	Qty	S/P/F	Description
1	732-0477	1		Hood Spring
2	16207	1		Hood
3	712-0272	1	/P	Hex Sems Nut #10-24 Thd.*
4	736-0463	1	S	FI-Wash. .281" I.D. x .62" O.D. x .051
5	723-0302	1		Hood Stop 7" Lg.
6	710-0473	1	/P	Truss Hd. Scr. #10-24 x 1/2"*
7	731-0707	1		Battery Cover
8	725-0453	1	S	12 Volt Battery
9	711-0222	1	S	Battery Hold Down Rod
10	12747	1		Battery Bracket
11	722-0138	1		PVC Foam Strip
12	09960	1		Headlight Retainer
13	712-0287	1	S	Hex Nut 1/4-20 Thd.*
14	736-0329	1	S	L-Wash 14" I.D.*
15	725-0222	1	S	Headlight
	710-0653	1	/P	Hex Wash. Hd. Tap Scr. 1/4 x 3/8" Lg.
17	723-0360	1		Foot Pad
18	712-0798	1	/P	Hex Nut 3/8-16 Thd.*
19	14787	1		Grille Ass'y.
20	736-0169	1	S	L-Wash. 3/8" I.D.*
21	738-0145	1	S	Shld. Bolt .50" Dia. x .84
22	14606	1		Lower Frame
23	13863	1		Grille Mount Brkt. L.H.
24	14619	1		Front Pivot Brkt.
25	13862	1		Grille Mount Brkt. R.H.
26	710-0726	1	/P	Hex Wash. Hd. AB-Tap Scr. 5/16 x .75" Lg.
27	710-0167	1	/P	Carr. Bolt 1/4-20 x .50" Lg.*
28	13730	1		Grille Screen
29	14604	1		Running Board (R.H. & L.H.)
33	710-0323	1	/P	Truss Mach. Scr. 5/16-18 x .75" Lg.*
36	15848	1		Fender Mount Brace
37	16221	1		Fender
38	710-0118	1	S	Hex Bolt 5/16-18 x .75" Lg.*
39	14602	1	S	R.H. Side Frame
40	710-0258	1	S	Hex Bolt 1/4-20 x .62" Lg.*
45	14603	1		L.H. Side Frame
46	16188	1		Shift Cover
47	725-0759	1	S	Reverse Safety Switch
48	726-0222	1	S	Insulator Nut Plate
	14607	1		Hitch Plate
51	712-0267	1	S	Hex Nut 5/16-18 Thd.*
52	736-0119	1	S	L-Wash. 5/16" I.D.*
54	757-0309	1		Seat Ass'y
59	712-0113	1	S	Wing Nut 1/4-20 Thd. Plastic
60	746-0394	1		Choke Control
61	710-0351	1	/P	Truss Mach. Tap Scr. #10 x .50" Lg.
62	736-0463	1	S	FI-Wash. .296 I.D. x .62 O.D.
63	710-0924	1	/P	Truss Mach. Scr. 1/4-20 x .75" Lg.
64	710-0148	1	/P	Truss Hd. Scr. #10-24 x .38" Lg.
65	731-0465	1		Bezel
67	749-0673	1		Grille Support Rod L.H.
	749-0674	1		Grille Support Rod R.H.
69	710-0255	1		Truss Mach. Scr. 1/4-20 x .75" Lg.*

135-704-190 44" Lawn Tractor LT-140 (1985)  
Chassis Assembly

Page 3 of 25

Ref #	Part Number	Qty	S/P/F	Description
70	14748	1		R.H. Grille Side Panel
	14749	1		L.H. Grille Side Panel
71	15933	1		Dash Panel Ass'y.
72	831-0692	1	S	Throttle Control Box Ass'y.
73	746-0501	1	/P	Throttle Control Wire
75	725-0267	1	S	Ignition Switch
79	725-0201	1	S	Ignition Key
80	710-0493	2	S	Hex Bolt 1/2-13 x 1.00" Lg.
81	736-0921	1	S	L-Wash. 1/2" I.D.*
82	710-0376	1	/P	Hex Bolt 5/16-18 x 1.00" Lg.*
83	732-0458	1		Seat Spring 5.5" High
84	725-0634	1	S	Light Switch
86	725-0925	1	S	Ammeter
88	731-0511	1	/P	Molding Strip 27" Lg.
89	738-0526	1		Running Board Rod
	710-0599	1	/P	Thread Rolling Scr. 1/4-20 x .50" Lg.
93	735-0144	1		Rubber Wash. 1/2" I.D. x 1.0 O.D. x .25"
94	712-0324	1	/P	Hex Sems Ins. L-Nut 1/4-20 Thd.
95	731-0511	1	/P	Trim Strip 81"
96	723-0347	1		Center Moulding
97	726-0139	1	/P	Speed Nut #10Z
100	16371	1		Brake Cable Bracket
101	726-0197	1		Cable Tie
102	710-0425	1	/P	Truss Mach. Scr. #10-24 x .62" Lg.
	777-4553	1		"WHITE" Plastic Logo Grille
	777-4530	1		"WHITE" Label Steering Hub
	777-5159	1		"LAWN BOSS" Label Hood
	777-4777	1		Reflective Label Seat
	730-0116	1		Reflectors Fenders
	777-5255	1		"CRUISE-MATIC" Label Frame Sides
	777-5256	1		"CRUISE-MATIC" Label Fender



135-704-190 44" Lawn Tractor LT-140 (1985)  
Deck Assembly

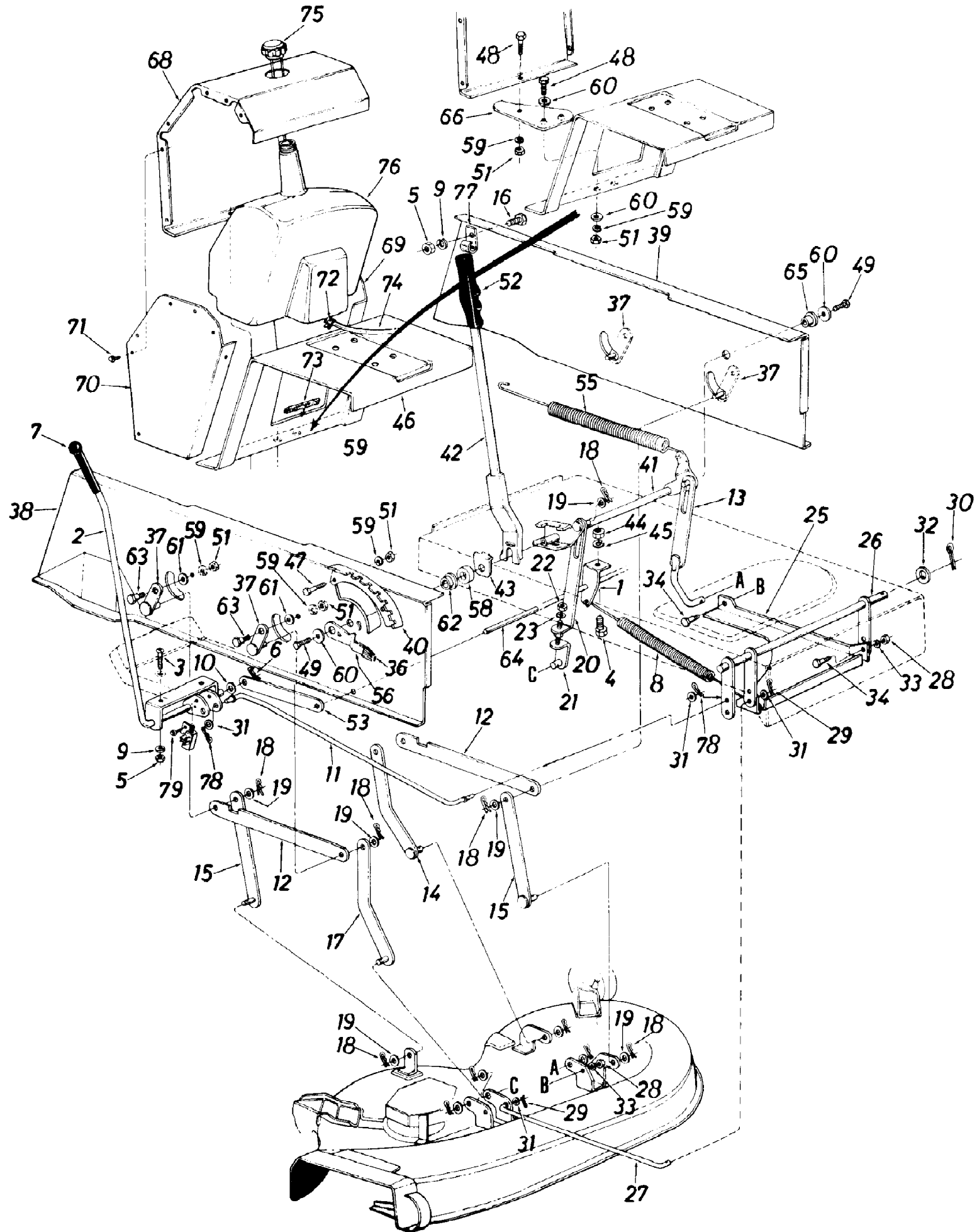
Page 5 of 25

Ref #	Part Number	Qty	S/P/F	Description
1	07919	1	S	Anti-Scalp Plate
2	10937	1		Bar-Wheel Pivot
3	11396	1		Adapter Plate
4	11574	1		Chute Cover Ass'y.
	711-0571	1		Hinge Pin
6	726-0106	1	S	Cap Speed Nut 1/4" Rod
7	732-0261	1		Torsion Spring
8	14082	1	/P	Spring Lever Ass'y.
9	14258	1	S	Belt Guard
10	16175	1		Deck Hanger Bracket
11	16176	1		Butterfly-Bracket
12	16180	1		Deck Hanger Bracket 1.91
13	16231	1		44" Deck Ass'y
14	16331	1		Idler Bracket
15	16333	1		Pulley Cover L.H.
16	16334	1		Pulley Cover R.H.
17	16337	1		Spindle Brake Arm Ass'y
18	710-0118	1	S	Hex Bolt 5/16-18 x .75" Lg.*
19	710-0152	1	S	Hex Bolt 3/8-24 x 1.00" Lg.*
20	710-0191	1	/P	Hex Bolt 3/8-24 x 1.25" Lg.*
21	710-0459	1	S	Hex Bolt 3/8-24 x 1.50" Lg.*
22	710-0599	1	/P	Hex Wash. S-Tapp Scr. 1/4-20 x .50
23	710-0726	1	/P	Hex Wash. Hd. Tapp Scr. 5/16-18 x .75" Lg.
24	710-0877	1	S	Hex Cent. L-Bolt 3/8-24 x .88" Lg.
25	710-0888	1	/P	Hex Bolt Special 5/16-24 x 1.0" Lg.
26	712-0123	1	/P	Hex Nut 5/16-24 Thd.*
27	712-0158	1	S	Hex Cent. L-Nut 5/16-18 Thd.
28	712-0241	1	/P	Hex Nut 3/8-24 Thd.*
29	712-0267	1	S	Hex Nut 5/16-18 Thd.*
30	09164	1	S	Reinforcement Plate
31	13703	1		Bearing Shield
32	15296	1	S	Open Brg. Housing 1.85" I.D.
33	741-0919	1	S	Ball Brg. .787" I.D. x 1.85" O.D. x .551
34	16349	1		Spindle Mounting Plate Ass'y
35	710-0888	1	/P	Hex Bolt Special 5/16-24 x 1.0" Lg.
36	712-0123	1	/P	Hex Nut 5/16-24 Thd.*
37	712-0318	1	/P	Hex Jam Nut 5/8-18 Thd.*
38	714-0168	1	/P	Sq. Key 3/16" x 3/16 x 2.25" Lg.
39	736-0119	1	S	L-Wash. 5/16" I.D.*
40	736-0317	1	/P	Bell-Wash. .630" I.D. x 1.25" O.D.
41	738-0632	1	S	44" Deck Blade Spindle
42	08253	1	S	Bearing Housing 1.85" I.D.
43	741-0919	1	S	Ball Brg. .787" I.D. x 1.85" O.D. x .551
44	750-0456	1	S	Spacer 1.0" O.D. x .790" I.D.
45	756-0329	1		5/8 "V"-Pulley .79" I.D. x 5.75" O.D.
46	756-0470	1	S	"V"-Pulley .79" I.D. x 6.50" O.D.
47	15319	1	S	1-3/8" I.D. Bearing Housing
48	16348	1	S	Reinforcement Plate
49	16400	1		Bearing Shield
50	710-0567	1	S	Hex Sems Scr. 1/4-28 x .625" Lg.
51	710-0877	1	S	Hex Cent. L-Bolt 3/8-24 x .88" Lg.
52	16406	1	S	Ring Nut 1/4-28 Thd.
53	712-0922			1/2-20 Thd.*

135-704-190 44" Lawn Tractor LT-140 (1985)  
Deck Assembly

Page 6 of 25

Ref #	Part Number	Qty	S/P/F	Description
54	736-0105	1	/P	Bell-Wash. .400" I.D. x .88" O.D.
55	736-0162	1	/P	FI-Wash. .635" I.D. x 1.04" O.D.
56	738-0627	1	S	6.5" Blade Spindle
57	741-0155	1	S	Ball Brg. .62" I.D. x 1.38" O.D. x .44
58	742-0252	1		6.50" Blade
59	756-0468	1		1/2" "V"-Pulley Half .625" I.D. x 2.25" O.D.
60	726-0106	1	S	Cap Speed Nut 1/4" Rod
61	727-0290	1	S	Brake Cable 11.75" Lg.
62	732-0121	1	S	Extension Spring .73" O.D. x 4.31 " Lg.
63	732-0395	1	S	Ext. Spring .50" x 2.5" Lg.
64	736-0105	1	/P	Bell-Wash. .400" I.D. x .88" O.D.
65	736-0119	1	S	L-Wash. 5/16" I.D.*
66	736-0141	1	S	Spring Wash. .445" I.D. x .75" O.D.
67	736-0169	1	S	L-Wash. 3/8" I.D.*
68	736-0174	1	/P	Spring Wash. .625" I.D. x .885" O.D.
69	736-0217	1	S	L-Wash. 3/8" I.D (Heavy Duty)
70	736-0219	1	S	Bell-Wash. .400" I.D. x 1.13" O.D.
71	736-0253	1	S	Bell-Wash. .505" I.D. x 1.00" O.D.
72	738-0140	1	S	Shld. Bolt .437" Dia. x .180
73	738-0347	1	S	Shld. Spacer .625" I.D.
74	742-0295	1	S	21" Blade
75	748-0279	1		Shld. Spacer
76	748-0300	1		Blade Adapter
77	754-0229	1	S	"V"-Belt 1/2" x 52.0" Lg.
78	754-0293	1	S	"V"-Belt 1/2" x 74.0" Lg. (Drive Belt)
79	756-0365	1	S	FI-Idler w/ Flanges 3.50" O.D.
80	711-0701	1	S	Clevis Pin 1/4" Dia. x .53" Lg.
81	714-0104	1	S	Intern. Cotter Pin 5/16" Dia.
82	734-0974	1	/P	Deck Wheel 6.0" x 1.38
83	736-0105	1	/P	Bell-Wash. .400" I.D. x .88" O.D.
84	738-0455	1	S	Shld. Bolt 3/8-16 x 1.41
85	710-0617	1		Rib Neck Bolt (Service Only)
86	714-0122	1	S	Sq. Key 3/16" x 3/16" x .75" Lg.
87	738-0633	1	S	44" Deck Blade Spindle



135-704-190 44" Lawn Tractor LT-140 (1985)  
Deck Lift Assembly

Page 8 of 25

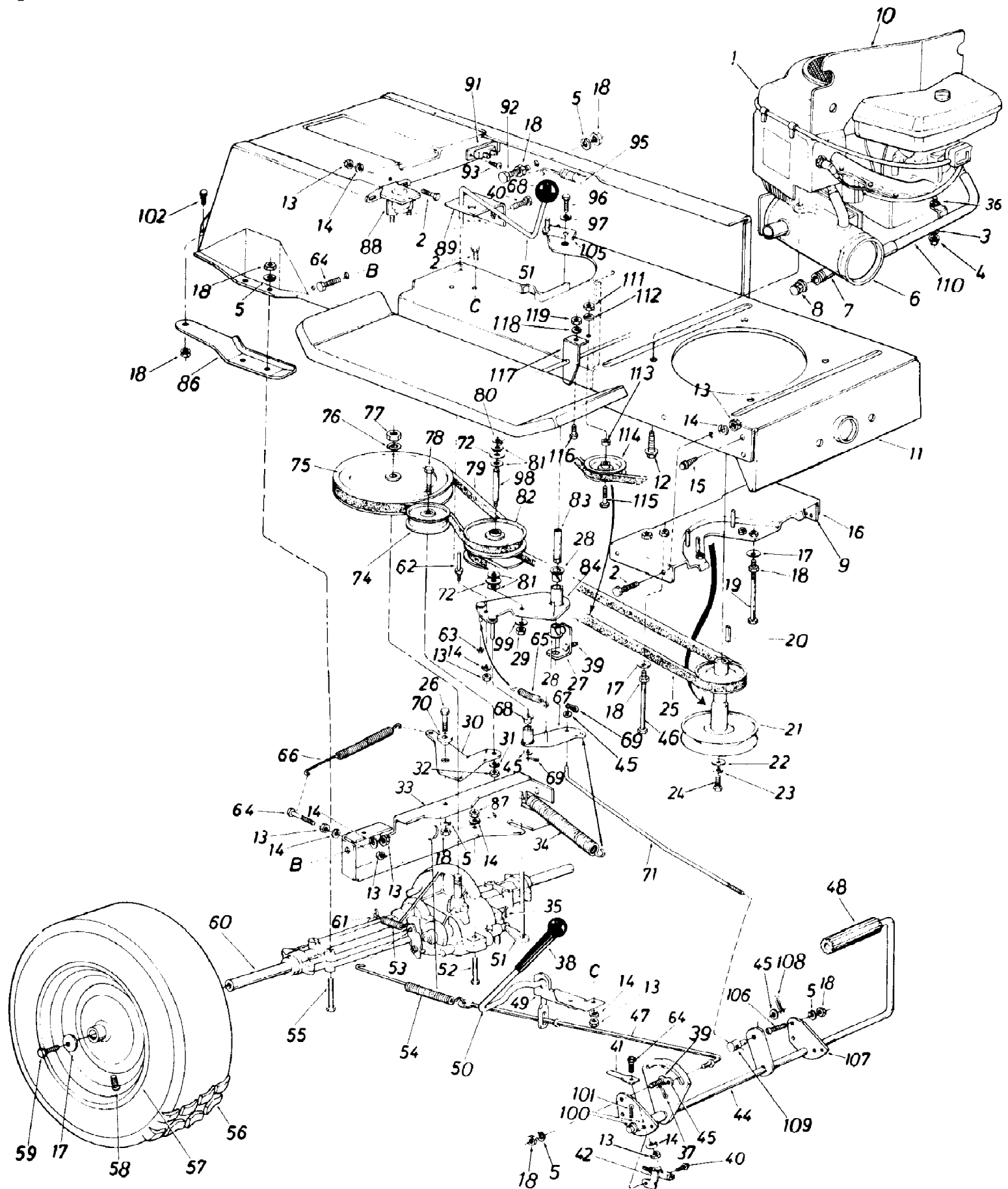
Ref #	Part Number	Qty	S/P/F	Description
1	16181	1		Spring Hanger Bracket
2	16212	1		Deck Engagement Lever Ass'y
3	710-0323	1	/P	Truss Mach. Scr. 5/16-18 x .75" Lg.
4	710-0258	1	S	Hex Bolt 1/4-20 x .62" Lg.
5	712-0267	1	S	Hex Nut 5/16-18 Thd.
6	714-0111	1	S	Cotter Pin 3/32" Dia. x 1.00" Lg.
7	720-0143	1		Grip
8	732-0410	1		Ext. Spring .99" O.D. x 13.25" Lg.
9	736-0119	1	S	L-Wash. 5/16" I.D.
10	736-0272	1	S	FI-Wash. .510" I.D. x 1.0" O.D.
11	747-0491	1		Drive Deck Control Rod
12	09735	1		Connecting Rod 3/16 x 1 x 12.5
13	16178	1		Deck Lift Link Ass'y
14	16209	1		Deck Hanger Link Ass'y. Rear L.H.
15	16216	1		Deck Hanger Link Ass'y.
16	710-0118	1	S	Hex Bolt 5/16-18 x .75" Lg.
17	16345	1		Deck Hanger Link Ass'y. Front R.H.
18	714-0101	1	S	Inter. Cotter Pin 1/2" Dia.
19	736-0192	1	S	FI-Wash. .531 I.D. x .93" O.D.
20	16063	1	S	Adj. Link Deck Lifting
21	16342	1		Adj. Lower Link Ass'y
22	712-0342	1	/P	Hex Jam Nut 3/8-16 Thd.
23	736-0169	1	S	L-Wash. 3/8" I.D.*
25	16214	1		Diagonal Brace
26	16234	1		Stabilizer Shaft Ass'y
27	711-0777	1		Stabilizer Rod
28	712-0798	1	/P	Hex Nut 3/8-16 Thd.*
29	714-0104	1	S	Inter. Cotter Pin 5/16" Dia.
30	714-0470	1	S	Cotter Pin 118" Dia. x 1.25" Lg.*
31	736-0117	1	S	FI-Wash. .385" I.D. x .620" O.D.
32	736-0156	1	/P	FI-Wash. .635" I.D. x 1.12" O.D.
33	736-0169	1	S	L-Wash. 3/8" I.D.*
34	738-0258	1	S	Shoulder Bolt 3/8-16
36	08540	1	/P	Knob Height Adj.
37	09721	1		Pivot Link Ass'y.
38	14602	1	S	Side Panel Upper Frame R. H .
39	14603	1		Side Panel Upper Frame L. H .
40	14633	1		Index Brkt. (Deck Lift)
41	14641	1		Lift Shaft Ass'y.
42	14645	1		Lift Handle Brkt. Ass'y.
43	14654	1		Retainer Wash. Lift Handle
44	712-0287	1	S	Hex Nut 1/4-20 Thd.*
45	736-0329	1	S	L-Wash. 1/4" I.D.*
46	16223	1		Hitch Plate
47		1		UNKNOWN
48	710-0376	1	/P	Hex Bolt 5/16-18 x 1.00" Lg. (Grade 5)
49	710-0604	1	S	Hex Wash. TT-Tap Scr. 5/16-18 x .62" Lg.
51	712-0267	1	S	Hex Nut 5/16-18 Thd.*
52	720-0157	1	S	Grip
53	16369	1		Link 1.0" x 7.5" x .19
	726-0197	1		Cable Tie
55	732-0307	1	S	Ext. Spring .99" Dia. x 11.00" Lg.
56	732-0412			Stop



135-704-190 44" Lawn Tractor LT-140 (1985)  
Deck Lift Assembly

Page 9 of 25

Ref #	Part Number	Qty	S/P/F	Description
58	735-0216	1		Rubber Wash. 1 1/2" O.D. x .63" I.D. x .6 Lg.
59	736-0119	1	S	L-Wash. 5/16" I.D.*
60	736-0231	1	S	FI-Wash. .344" I.D. x 1.125" O.D. x .125
61	736-0264	1	S	FI-Wash. .344" I.D. x .62" O.D. x .063
62	736-0341	1		Flange Wash. .628" I.D. x 1.25" O.D.
63	738-0140	1	S	Shld. Bolt .437" Dia. x .180
64	738-0526	1		Running Board Rod
65	741-0313	1	S	Flange Brg. .632" I.D.
66	16315	1		Hitch Bar
68	16238	1		Gas Tank Housing Main Panel
69	16239	1	S	Side Panel L.H. Gas Tank
70	16240	1		Side Panel R.H. Gas Tank
71	710-0351	1	/P	Truss Mach. B-Tapp Scr. #10 x .50" Lg.
72	726-0207	1		Hose Clamp .406" Dia.
73	731-0511	1	/P	Trim Strip 5" Lg.
74	751-0173	1	S	Gas Line 44" Lg.
75	751-0226	1	S	Gas Tank Cap
76	751-0403	1		Gas Tank
77	726-0175	1	/P	Hose Clamp
78	714-0507	1	S	Cotter Pin 3/32" Dia. x .75" Lg.
79	710-0599	1	/P	Hex Wash. Hd. Tap Scr. 1/4 x .50" Lg.



135-704-190 44" Lawn Tractor LT-140 (1985)  
Drive Assembly

Page 11 of 25

Ref #	Part Number	Qty	S/P/F	Description
1		1		Engine
2	710-0258	1	S	Hex Bolt 1/4-20 x .62" Lg.*
3	736-0170	1	S	Special L-Wash. 5/16" I.D.
4	712-0267	1	S	Hex Nut 5/16-18 Thd.*
5	736-0119	1	S	L-Wash. 5/16" I.D.*
6	751-0421	1		Exhaust Muffler
7	737-0164	1	S	Pipe Nipple
8	737-0143	1	S	Cap Oil Drain
9	16371	1		Brake Cable Brk't.
10	16215	1		Heat Shield
11	15930	1		Lower Frame Ass'y.
12	710-0502	1	S	Hex Wash. Hd. TT-Tap Scr. 3/8-16 x 1.25" Lg.
13	712-0287	1	S	Hex Nut 1/4-20 Thd.*
14	736-0329	1	S	L-Wash. 1/4" I.D.*
15	710-0726	1	/P	Hex Wash. Hd. AB-Tap Scr. 5/16" x .75" Lg.
16	15898	1		Belt Guard Brkt. Ass'y.
17	736-0242	1	/P	Bell-Wash. .345" I.D. x .88"
18	712-0267	1	S	Hex Nut 5/16-18 Thd.*
19	710-0190	1	/P	Hex Bolt 5/16-18 x 4.00**
20	714-0114	1	S	Sq. Key 1/4 " x 1/4 " x 2.00"
21	756-0424	1	S	Engine Pulley
22	736-0322	1	/P	FI-Wash. 7/16" I.D. x 1.25"
23	736-0171	1	S	L-Wash. 7/16" I.D.*
24	710-0757	1	/P	Hex Bolt 7/16-20 x 1.50" Lg.
25	754-0280	1	S	Variable-Speed Belt .715 x 53" Lg.
26	710-0118	1	S	Hex Bolt 5/16-18 x .75" Lg.*
27	15890	1		Bearing Shaft Bracket
28	741-0295	1	S	Flanged Nyliner Brg. 5/8" I.D. x .88 " Lg.
29	712-0241	1	/P	Hex Nut 3/8-24 Thd.*
30	15891	1	S	Idler Bracket
31	736-0169	1	S	L-Wash. 3/8" I.D.*
32	712-0241	1	/P	Hex Nut 3/8-24 Thd.*
33	15945	1	S	Transaxle Support Brkt.
34	732-0459	1	S	Ext. Spring .94" O.D. x 6.7
35	714-0115	1	S	Cotter Pin 1/8" Dia. x 1.0**
36	736-0204	1	/P	FI-Wash. .34" I.D. x .62" O.D. x .033
37	714-0111	1	S	Cotter Pin 3/32" Dia. x 1.0**
38	720-0143	1		Grip Black
39	710-0323	1	/P	Truss Mach. Scr. 5/16-18 x .75" Lg.
40	710-0599	1	/P	Hex Wash. Hd. Self-Tap Scr. 1/4-20 x .50" Lg.
41	732-0435	1		Switch Actuator
42	725-0268	1	S	Safety Switch
44	16191	1		Clutch & Brake Pedal Ass'y.
45	736-0117	1	S	FI-Wash.
46	710-0402	1		Hex Bolt 5/16-18 x 4.5**
47	747-0472	1		Brake Rod
48	735-0196	1	S	Foot Pad
49	15889	1		Brake Lever Bracket
50	15888	1		Hill Holder Brake Handle
51	15838	1		Shift Lever Ass'y.
52	710-0559	1		Hex Bolt 1/4-28 x 1.75" Lg.*

135-704-190 44" Lawn Tractor LT-140 (1985)  
Drive Assembly

Page 12 of 25

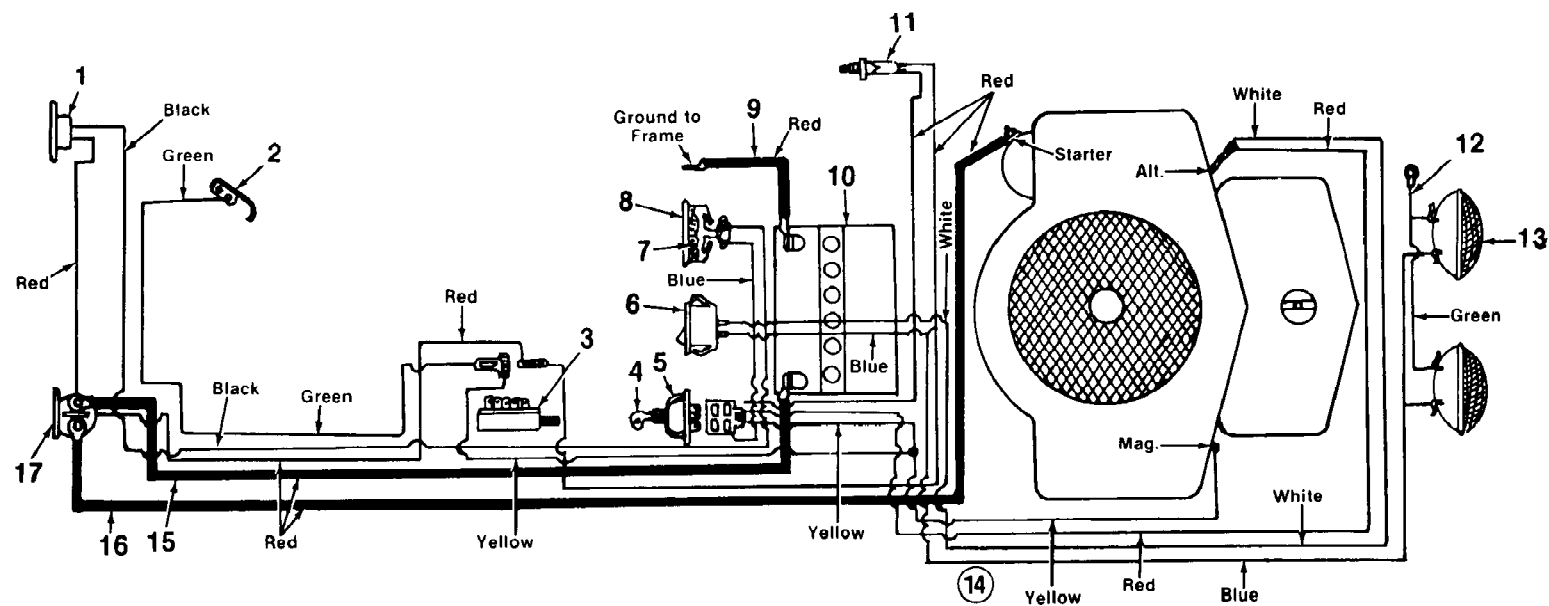
Ref #	Part Number	Qty	S/P/F	Description
53	732-0264	1	S	Ext. Spring .38" O.D. x 2.5"
54	732-0413	1	S	Ext. Spring .59" O.D. x 7.08"
55	710-0378	1	/P	Hex Bolt 5/16-18 x 2.50**
56	734-0817	1	/P	Wheel Ass'y. Comp.
	734-0448	1	/P	Tire Only
57	734-0603	1	S	Wheel Rim Only
58	734-0255	1	S	Air Valve (Service Only)
59	710-0627	1	/P	Hex Bolt 5/16-24 x .75" Lg.*
60	717-0750	1	S	Transaxle Complete
61	732-0454	1	S	Brake Return Spring Anchor
62	711-0768	1	S	Belt Guard Pin 1/4-20 Thd.
63	726-0106	1	S	Cap Speed Nut 1/4" Dia.
64	710-0597	1	/P	Hex Bolt 1/4-20 x 1.0" Lg.*
65	732-0387	1		Ext. Spring .50" Dia.
66	732-0455	1	S	Ext. Spring .56" O.D. x 5.96"
67	16352	1		Variable Speed Torque Brkt. Ass'y.
68	741-0419	1		Flanged Bearing
69	714-0507	1	S	Cotter Pin 3/32" Dia.*
70	748-0234	1	/P	Shoulder Spacer .500" Dia. x .27" Lg.
71	747-0518	1		Speed Control Link
72	741-0405	1	S	Truss Bearing .56 Dia. x 1.25"
	720-0165	1	S	Ball Knob
74	756-0437	1	S	FI-Idler Pulley 3.25" x 1.0"
75	756-0408	1	S	11/16" "V"-Pulley 8.0" O.D. x .501" I.D.
76	736-0921	1	S	L-Wash. 1/2" I.D.
77	712-0922	1	/P	Hex Jam Nut 1/2-20 Thd.*
78	710-0459	1	S	Hex Bolt 3/8-24 x 1.50" Lg.*
79	754-0281	1	S	Variable Speed Belt .715 x 44" Lg.
80	716-0114	1	S	Snap Ring .56" Dia.
81	736-0355	1	/P	FI-Wash .
82	717-0800	1	S	Variable Speed Pulley Ass'y. 5" O.D.
83	711-0766	1		Bearing Shaft
84	16354	1	S	Variable Speed Brkt. Ass'y.
	711-0474	1		Belt Guard Pin 1/4" Dia. x 1.68" Lg.
86	14770	1		Transaxle Support Brkt. R.H.
	14769	1	S	Transaxle Support Brkt. L.H. (Not Shown)
87	712-0138	1	S	Hex Nut 1/4-28 Thd.
88	725-0771	1	S	Solenoid
89	16031	1		Shift Lever Bracket
91	725-0459	1	S	Circuit Breaker
92	710-0528	1	/P	Hex Bolt 5/16-18 x 1.25" Lg.
93	710-0351	1	/P	Truss Hd. Phil. Scr. #10 x 1/2" Lg.
95	732-0307	1	S	Ext. Spring .99" O.D. x 11.0"
96	710-0180	1	/P	Hex Bolt 3/8-24 x .75" Lg.*
97	736-0105	1	/P	Bell-Wash. .38" I.D. x .88"
98	738-0569	1	S	Shaft .56" Dia. x 3.875" Lg.
99	736-0331	1	/P	Bell-Wash. .39" I.D. x 1.12"
100	736-0256	1	S	FI-Wash.
101	714-0470	1	S	Cotter Pin
102	710-0604	1	S	Hex Wash. Hd. Scr. 5/16-18 x .62" Lg.
	736-0362	1	/P	FI-Wash. .32" I.D. x 1.25"
105	16067	1		Belt Guard
106	710-0323	1		Hex Bolt 5/16-18 x .75" Lg.*

135-704-190 44" Lawn Tractor LT-140 (1985)  
Drive Assembly

Page 13 of 25

Ref #	Part Number	Qty	S/P/F	Description
107	15835	1		Pedal Bracket
108	714-0104	1	S	Hairpin Cotter 118" Dia.
109	711-0198	1	S	Ferrule
110	751-0422	1		Inlet Tube Ass'y.
111	712-0798	1	/P	Hex Nut 3/8"-16 Thd.*
112	736-0169	1	S	L-Wash. 3/8" I.D.*
113	736-0280	1		FI-Wash. .390" I.D. x 1.12" O.D. x .187
114	756-0217	1	S	FI-Idler w/ Flanges 2.750
115	710-0427	1	S	Hex Bolt 3/8-16 x 2.00" Lg.*
116	710-0258	1	S	Hex Bolt 1/4-20 x .62" Lg.*
117	16181	1		Spring Hanger Bracket
118	736-0329	1	S	L-Wash. 1/4" I.D.*
119	712-0287	1	S	Hex Nut 1/4-20 Thd.*

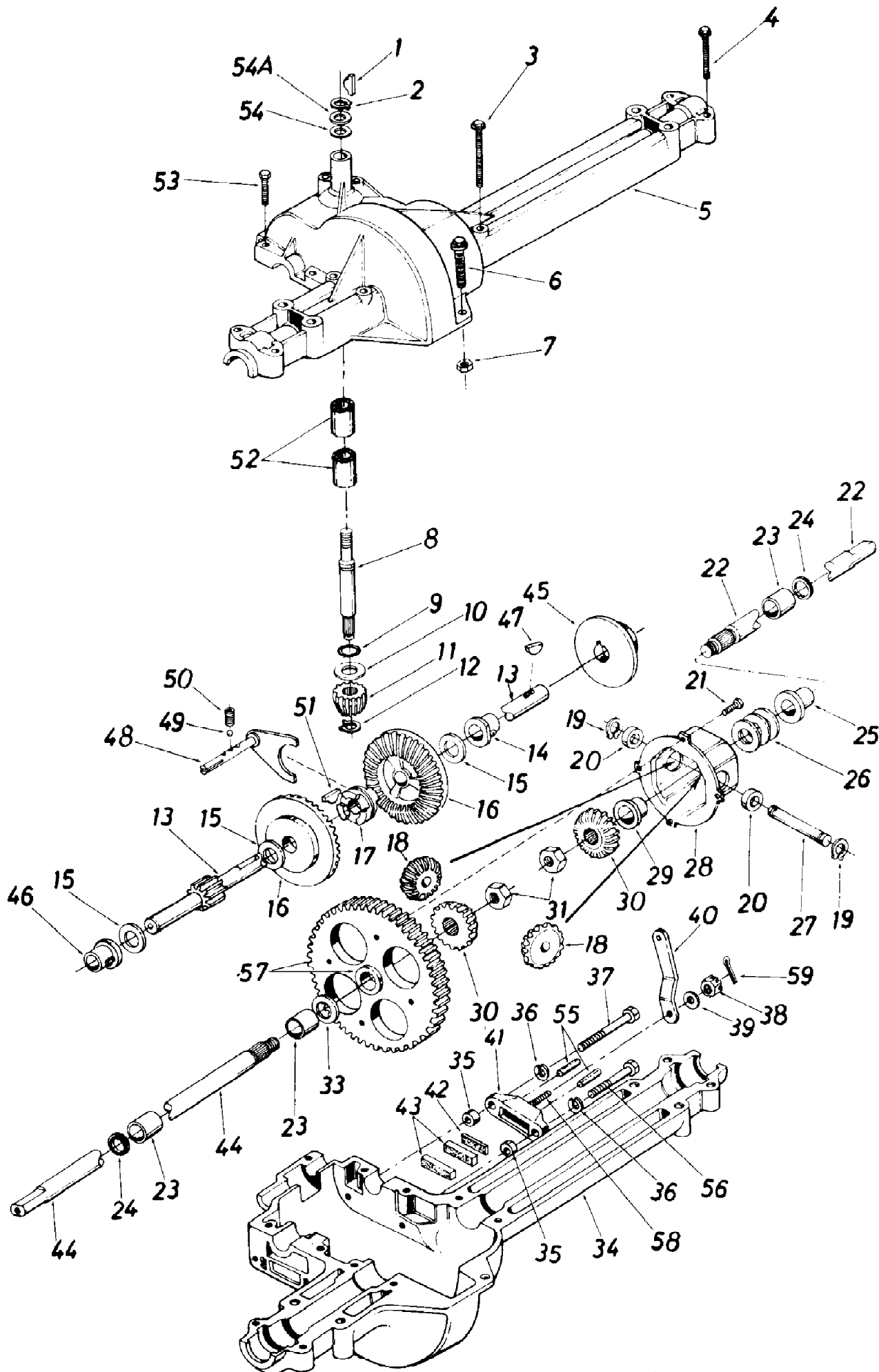
135-704-190 44" Lawn Tractor LT-140 (1985)  
Electrical System



135-704-190 44" Lawn Tractor LT-140 (1985)  
Electrical System

Page 15 of 25

Ref #	Part Number	Qty	S/P/F	Description
1	725-0459	1	S	Circuit Breaker
2	725-0759	1	S	Spring Switch
3	725-0819	1	S	Safety Switch Dpst.
4	725-0201	1	S	Ignition Key
5	725-0267	1	S	Ignition Switch
6	725-0634	1	S	Headlight Switch
7	722-0135	1		Foam Strip
8	725-0925	1	S	Ammeter
9	725-0994	1	S	Grounding Wire 14.0" Lg.
10	725-0453	1	S	12 Volt Battery
11	725-0577	1		Safety Switch
12	725-0916	1	S	Ground Wire
13	725-0222	1	S	Headlight
14	725-1076	1		Wire Harness
15	725-1080	1		Electric Wire 27.0" Lg.
16	725-0562	1	S	Electric Wire 32.5" Lg.
17	725-0771	1	S	Solenoid





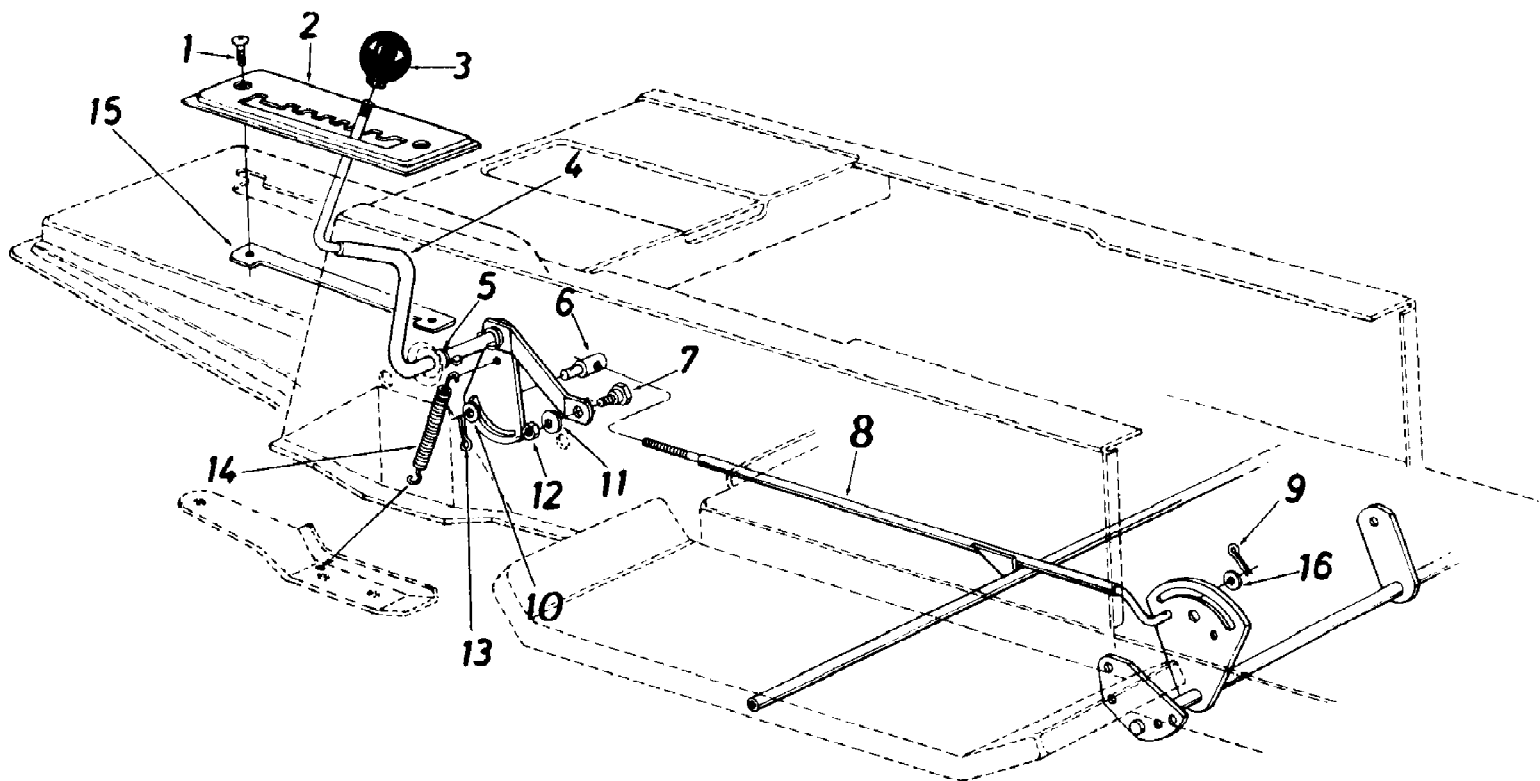
Ref #	Part Number	Qty	S/P/F	Description
1	714-0129	1	S	#4 Hi-Pro Key 3/32 x 5/8" Dia.
2	716-0115	1	S	Snap Ring .625" Shaft
3	710-0854	1	S	Hex Bolt 1/4-20 x 1.75" Lg.*
4	710-0809	1		Hex Bolt 1/4-20 x 1.25" Lg.*
5	717-0764	1	S	Upper Housing
6	710-0889	1		Hex FI-Bolt 1/4-20 x .88" Lg.*
7	712-0287	1	S	Hex Nut 1/4-20 Thd.*
8	717-0634	1	S	Input Shaft
9	721-0178	1	S	Square Seal 5/8" I.D.
10	736-0335	1	S	Thrust Washer 5/8" I.D. x 1.25" O.D
11	717-0633	1	S	Pinion Input 14T
12	716-0108	1	S	Retaining Ring 7/16" Ext.
13	717-0758	1	S	Drive Shaft R.H.
14	741-0336	1	S	Flange Brg. 5/8" I.D. x 3/4" Lg.*
15		1		FI-Wash.
	736-0349	1	S	FI-Wash. 5/8" I.D. x 1.0" O.D. x .020 Thk.
	736-0336	1	S	FI-Wash. 5/8" I.D. x 1.0" O.D. x .030 Thk.
	736-0337	1	S	FI-Wash. 5/8" I.D. x 1.0" O.D. x .040 Thk.
16	717-0757	1		Bevel Gear 42T
17	717-0667	1	S	Clutch Collar
18	717-1010	1	S	Miter Gear 15T
19	716-0142	1	S	Snap Ring
20	717-0690	1	S	Thrust Bearing 1/2" I.D. x 1.0" O.D.
21	710-0862	1	S	Pan Head Scr. 1/4-20 x .50" Lg. w/ Patch
22	717-1012	1		Axle R.H.
23	741-0340	1	S	Sleeve Bearing 3/4" I.D. x 1.0" Lg.
24	721-0179	1	S	Oil Seal 3/4" I.D.
25	741-0339	1	S	Flange Bearing 3/4" I.D. x 15/16" Lg.
26	736-0188	1	/P	FI-Wash. .760" I.D. x 1.49" O.D.
27	717-0673	1	S	Cross Shaft
28	717-0777	1	S	Differential Housing Ass'y.
29		1		Comes with Ref. 28
30	717-1009	1	S	Miter Gear
31	712-0200	1	S	Hex Ins. L-Nut 1/2-20 Thd.
33	736-0188	1	/P	FI-Wash. .760" I.D. x 1.49" O.D.
34	717-0761	1	S	Lower Housing
35	750-0555	1		Spacer .53" O.D. x 3/8" Lg.
36	736-0329	1	S	L-Wash. 1/4" I.D.*
37	710-0886	1	S	Hex Bolt 1/4-20 x 1.50" Lg. (Grade 5)
38	712-0335	1	S	Castle Nut 5/16-24 Thd.*
39	736-0159	1	S	FI-Wash. .344" I.D. x .875" O.D.
40	717-0700	1	/P	Actuating Arm R.H.
41	717-0679	1		Brake Yoke
42	717-0682	1	S	Puck Plate
43	717-0678	1	S	Brake Puck
44	717-1011	1		Axle L.H.
45	717-0677	1	/P	Brake Disc
46	741-0337	1	S	Flange Bearing 5/8" I.D. x 15/16" Lg.
47	714-0161	1	S	Woodruff Key 3/16 x 5/8 HT
48	717-0754	1	S	Shift Fork Ass'y.
49	741-0862	1	/P	Ball Detent.250" Dia.
50	732-0863	1	S	Spring Detent
51	714-0169			Woodruff Key 3/16 x 3/4" Dia. HT

135-704-190 44" Lawn Tractor LT-140 (1985)  
Single Speed Transaxle

Page 18 of 25

Ref #	Part Number	Qty	S/P/F	Description
52	741-0335	1	S	Needle Brg. 5/8" I.D. x 1/2" Lg.
53	710-0855	1	S	Hex Bolt 1/4-20 x 1.00" Lg.
54	736-0336	1	S	Fl-Wash. 5/8" I.D. x .030
54A	736-0337	1	S	Fl-Wash. 5/8" I.D. x .040
55	741-0343	1	S	Actuating Pin 5/16" Dia.
56	710-0886	1	S	Hex Bolt 1/4-20 x 1.50" Lg. (Grade 5)
57	717-0767	1	S	Differential Gear 72T Ass'y w/ Bearing
58	717-0681	1	S	Sq. Hd. Bolt 5/16-24 Thd.
59	1544-013	1	S	Cotter Pin 3/32" Dia. x .50" Lg.
	737-0148	1	S	Grease Shell (10 oz.)

135-704-190 44" Lawn Tractor LT-140 (1985)  
Speed Selector Assembly

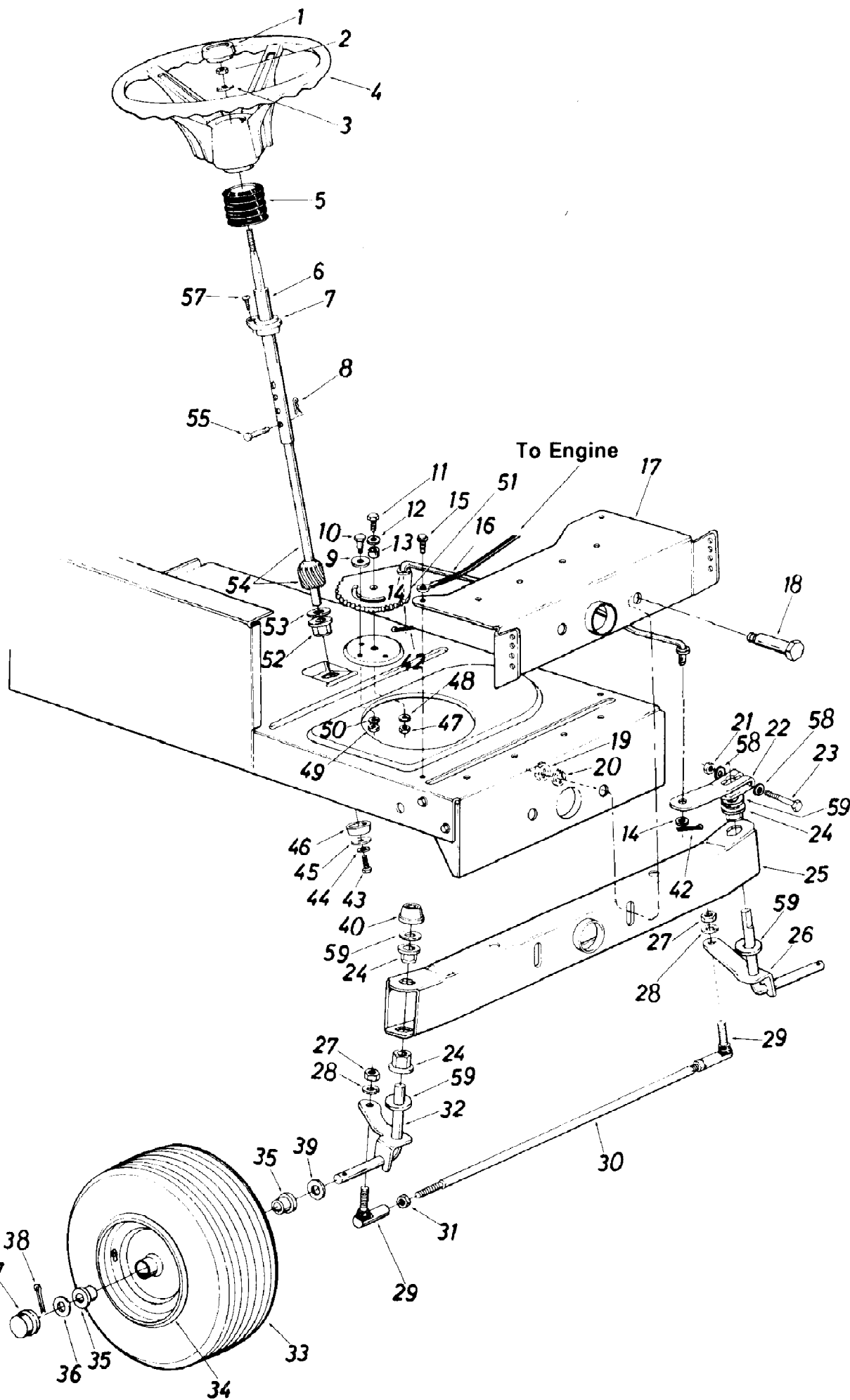


135-704-190 44" Lawn Tractor LT-140 (1985)  
Speed Selector Assembly

Page 20 of 25

Ref #	Part Number	Qty	S/P/F	Description
1	710-0924	1	/P	Truss Mach. Scr. 1/4-20 x .75"Lg.
2	16194	1	S	Speed Selector Plate (688 & 704)
	16195	1		Speed Selector Plate (690)
3	720-0175	1	S	Gear Shift Knob
4	16192	1	S	Speed Selector Cam Ass'y.
5	736-0192	1	S	Flat Washer .53" I.D. x .93" O.D.
6	711-0198	1	S	Ferrule 3/8-24 x .37" Dia.
7	738-0155	1	S	Shoulder Bolt .435" Dia. x .160
8	16355	1		Speed Control Rod Ass'y
9	714-0507	1	S	Cotter Pin 3/32" Dia. x .75" Lg.*
10	736-0117	1	S	FI-Wash. .39" I.D.
11	736-0119	1	S	L-Wash. 5/16" I.D.
12	712-0267	1	S	Hex Nut 5/16-18 Thd.*
13	714-0104	1	S	Hairpin Cotter 1/8" Dia.
14	732-0303	1	S	Spring
15	16196	1		Clamping Plate
16	736-0226	1	S	FI-Wash. .47" I.D. x .88" O.D. x .063

135-704-190 44" Lawn Tractor LT-140 (1985)  
Steering Assembly



135-704-190 44" Lawn Tractor LT-140 (1985)  
Steering Assembly

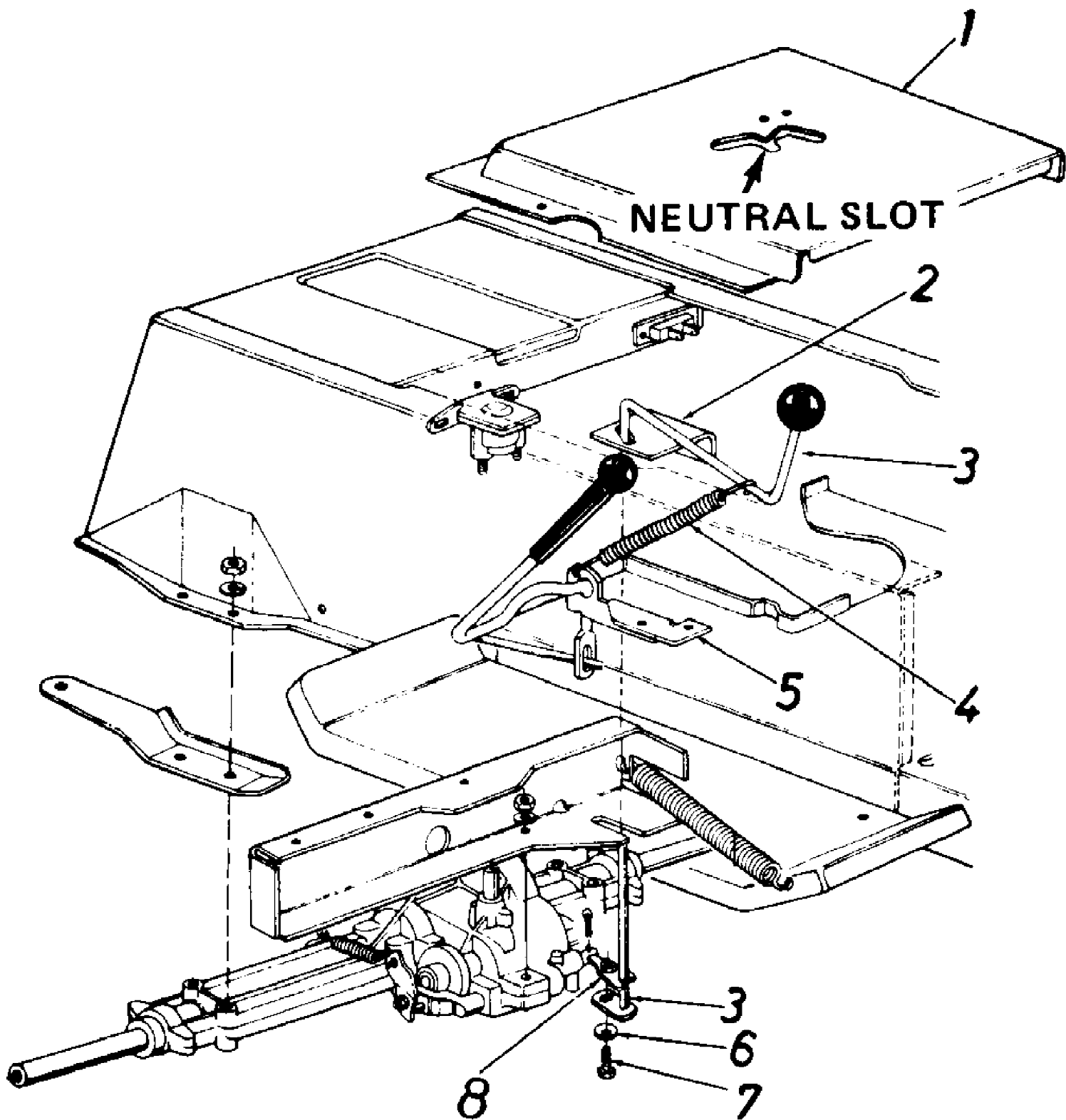
Page 22 of 25

Ref #	Part Number	Qty	S/P/F	Description
1	731-0220	1	S	Steering Wheel Cap
2	712-0267	1	S	Hex Nut 5/16-18 Thd.*
3	736-0242	1	/P	Belleville Wash. .345" I.D.
4	731-0219	1	/P	Steering Wheel 12" Dia.
	731-0356	1		Steering Wheel 13.5" Dia.
5	731-0559	1	S	Steering Bellow
6	14775	1		Steering Column Ass'y.
7	741-0356	1		Flange Bearing .890 I.D. x 1.36 O.D.
8	714-0147	1		Internal Cotter Pin 1/4" Dia.
9	736-0319	1	S	FI-Wash. .438" I.D. x 1.37" O.D.
10	738-0141	1	S	Shoulder Bolt .437" Dia. x .35 Lg. 5/16-18 Thd.
11	710-0152	1	S	Hex Bolt 3/8-24 x 1.0" Lg. (Grade 5)
12	736-0206	1	S	FI-Wash. .38" I.D. x 1.0" O.D.
13	750-0535	1	S	Spacer.380" I.D. x .625" O.D. x .227
14	736-0355	1	/P	Flat Washer .56 I.D. x 1.0 O.D.
15	710-0726	1	/P	Hex Wash. Hd. Self-Tap Scr.
16	711-0782	1	/P	Steering Drag Link
17	14619	1		Front Pivot Brkt.
18	738-0527	1	S	Shoulder Bolt .498" Dia. x 2.04 Lg. 3/8-16 Thd.
19	712-0798	1	/P	Hex Nut 3/8-16 Thd.*
20	736-0169	1	S	L-Wash. 3/8" I.D.*
21	712-0237	1	S	Hex Cent. L-Nut 5/16-24 Thd.
22	14611	1	S	Steering Arm Front Axle
23	710-0772	1	/P	Hex Bolt 5/16-24 x 2.00" Lg. (Grade 5)
24	741-0225	1	S	Hex Flg. Brg. .634 I.D.
25	14608	1	S	Pivot Bar Ass'y.
26	15841	1	S	Front Axle Ass'y. L. H .
27	712-0241	1	/P	Hex Nut 3/8-24 Thd.*
28	736-0169	1	S	L-Wash. 3/8" I.D.*
29	723-0156	1	S	Bal I Joi nt 3/8-24 Thd.
30	711-0613	1		Tie Rod
31	712-0711	1	/P	Hex Jam Nut 3/8-24 Thd.*
32	15840	1	S	Front Axle Ass'y. R.H..
33	734-0998	1	S	Wheel Ass'y. Comp.
	734-0498	1		Tire Only
34	734-0997	1	S	Front Wheel Rim Only
	734-0255	1	S	Air Valve
	737-0146	1	S	Grease Fitting
35	741-0313	1	S	Bearing
36	736-0285	1	/P	FI-Wash. .635 I.D. x 1.59" O.D.
37	731-0484	1	S	Front Wheel Hub Cap
	734-0541	1	F	Front Wheel Hub Cap (Chrome) (Not Shown)
38	714-0470	1	S	Cotter Pin 118" Dia. x 1.25" Lg.*
39	736-0156	1	/P	FI-Wash. .635" I.D. x 1.20" O.D.
40	726-0214	1	/P	Push Cap 5/8" Dia. Rod
42	714-0115	1	S	Cotter Pin 118" Dia. x 1.0" Lg.
43	710-0538	1	/P	Hex L-Bolt 5/16-18 x .62" Lg.
44	736-0119	1	S	L-Wash. 5/16" I.D.*
45	736-0231	1	S	FI-Wash. .344" I.D. x 1.25" O.D.
46	750-0532			

135-704-190 44" Lawn Tractor LT-140 (1985)  
Steering Assembly

Page 23 of 25

Ref #	Part Number	Qty	S/P/F	Description
47	712-0241	1	/P	Hex Nut 3/8-24 Thd.*
48	736-0169	1	S	L-Wash. 3/8" I.D.*
49	712-0267	1	S	Hex Nut 5/16-18 Thd.*
50	736-0119	1	S	L-Wash. 5/16" I.D.*
51	717-0468	1	S	Steering Gear Segment
52	741-0225	1	S	Hex Flg. Brg. .634 I.D.
53	736-0187	1	/P	FI-Wash. (Hardened)
54	738-0522	1	S	Steering Shaft Lower
55	711-0684	1		Clevis Pin 1/4" Dia. x 1.00" Lg.
57	710-0837	1		Oval Hd. Cr. Sunk Scr. #10 x 5/8" Lg.
58	736-0242	1	/P	Bell-Wash.
59	736-0187	1	/P	FI-Wash. (Hardened)





135-704-190 44" Lawn Tractor LT-140 (1985)  
Transmission, Neutral Adjustment

Page 25 of 25

Ref #	Part Number	Qty	S/P/F	Description
1	16433	1		Shift Cover
2	16429	1		Shift Lever Bracket
3	16430	1	S	Shift Lever Ass'y.
4	732-0447	1		Extension Spring
5	15889	1		Brake Lever Bracket
6	736-0270	1	/P	Belle-Wash. .25" I.D. x .75" O.D.
7	710-0195	1	S	Hex Bolt 1/4-28 x .75" Lg.
8	16437	1		Shift Lever Link Ass'y.